

Geological Mapping Exercise 3 - Answers

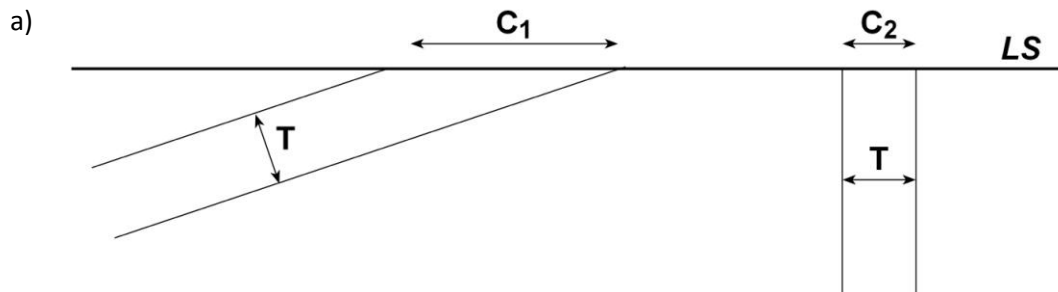
The width of an outcrop is determined by:

- the true thickness of the stratum (formation),
- the angle and direction of dip of the stratum, and
- the slope of the land surface where the outcrop occurs.

1. Refer to the diagrams and answer questions a – d.

Note: Each diagram uses a scale of 1cm = 2m, T is thickness of stratum, LS is land surface and Cn is width of outcrop.

For each diagram measure the width of the two outcrops (in metres) and give a reason for the difference. Write your answers in the spaces provided below.



T = 2m

C1 = 6m

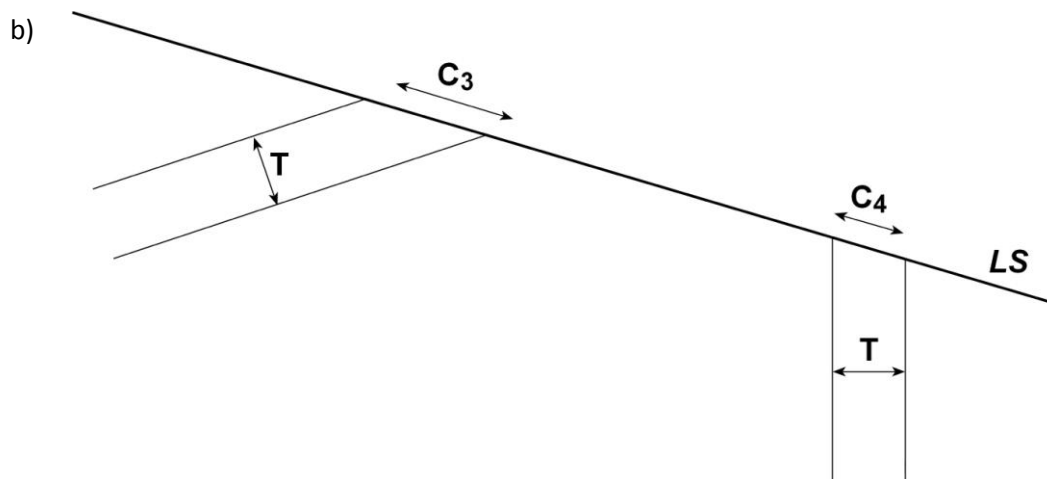
C2 = 2m

Reason for difference

The smaller the angle of dip, the larger the width of outcrop.

C2 is the same as T since angle of dip is vertical

C1 is greater than T and C2 since angle of dip is inclined to LS



T = 2m

C3 = 3m

C4 = 2.1m

Reason for difference

Inclination of slope as well as angle of dip determine the width of outcrop

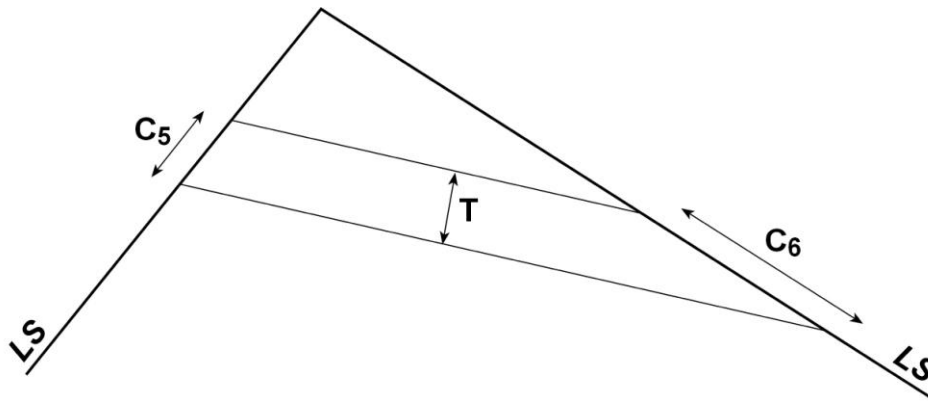
C3 - angle of slope gives a smaller width of outcrop than if LS were horizontal.

C4 > T and < C3 due to vertical dip + angle of slope

Geological Mapping Exercise 3 - Answers



c)



$$T = 2\text{m}$$

$$C5 = 2.1\text{m}$$

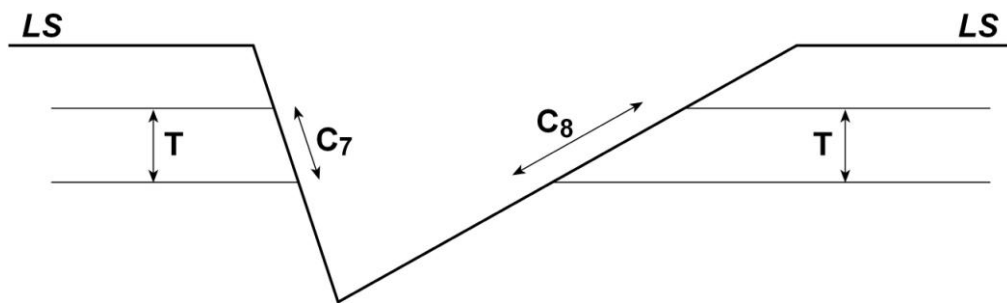
$$C6 = 5.6\text{m}$$

Reason for difference

Greater the angle of slope, smaller the width of outcrop

C6 – large due to dip and slope in same direction.

d)



$$T = 2\text{m}$$

$$C7 = 2.1\text{m}$$

$$C8 = 4\text{m}$$

Reason for difference

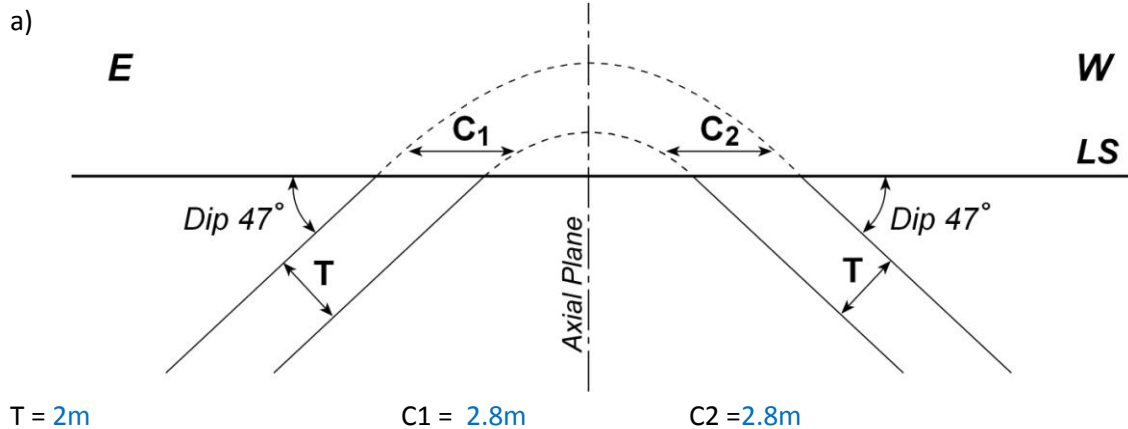
Greater the angle of slope, smaller the width of outcrop

Geological Mapping Exercise 3 - Answers

Problem Set 2

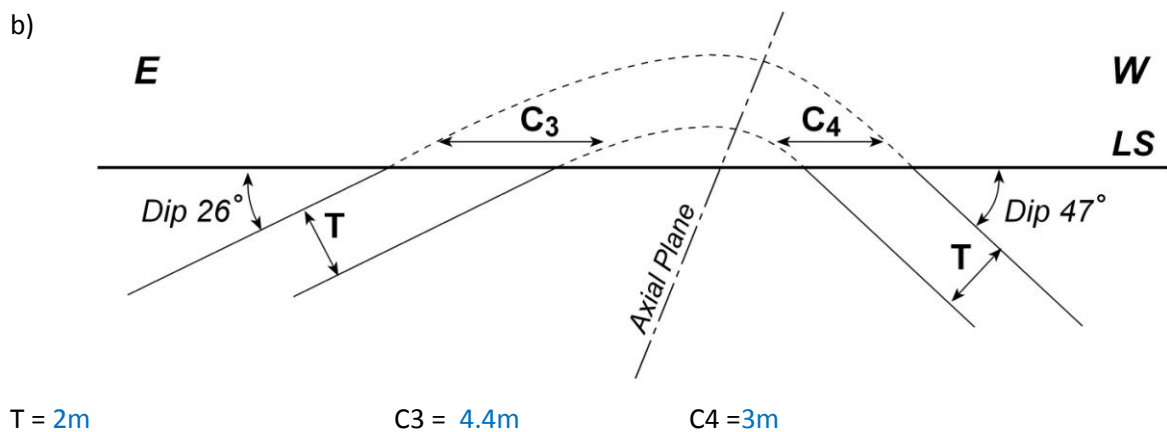
Note: Each diagram uses a scale of 1cm = 2m, T is thickness of stratum, LS is land surface and Cn is width of outcrop.

1 For each diagram measure the width of the two outcrops (in metres) and give a reason for the difference or similarity.



Reason for difference

Symmetrical anticline and horizontal LS, thus widths of outcrop are the same.



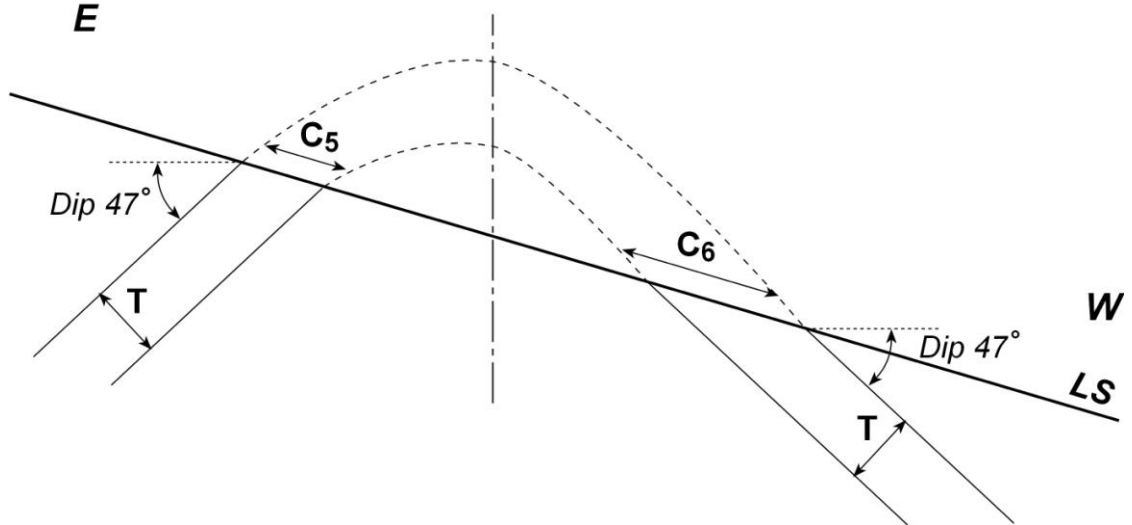
Reason for difference

Asymmetrical anticline.

The greater the angle of dip, the smaller the width of outcrop.

Geological Mapping Exercise 3 - Answers

c)



T = 2m

C5 = 2.4m

C6 = 4m

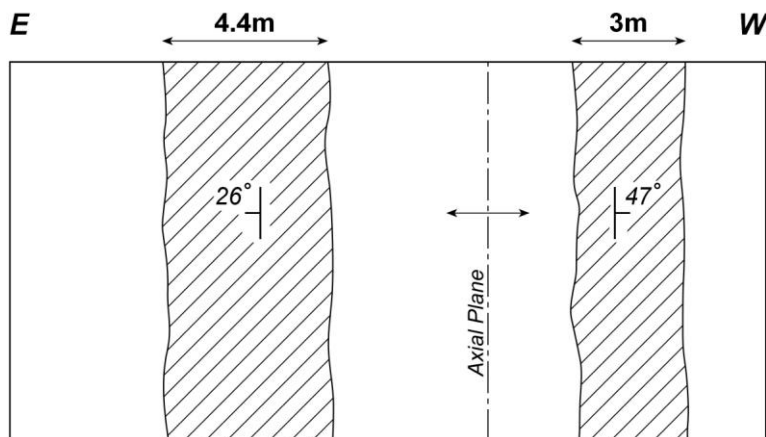
Reason for difference

The greater the angle of dip, the smaller the width of outcrop.

C5 determined by dip + angle of slope ($47 + 15 = 52$ degrees).

C6 determined by dip - angle of slope ($47 - 15 = 26$ degrees).

2. For 1b) draw in the space provided below a **plan map** to show what the two outcrops would look like on a land surface.



Geological Mapping Exercise 3 - Answers



3. A rock stratum with a thickness of 2 metres forms an asymmetrical syncline. The two limbs dip at 20 and 40 degrees respectively.

The stratum outcrops at two places on a level land surface. The distance between the centre of the two outcrops is 16 metres.

- Draw a cross section to show the syncline (Use a scale of 1cm = 2m)
- Measure the width of the two outcrops (in metres)

